

# Mass-testing and immunisation cubicle.



COVIDCUBE

Techniques  
gr.  
*est. 1985*



**COVIDCUBE**



# *Affordable* CovidCube

The CovidCube is a self-contained, hygienic cubical which lends itself perfectly to mass-testing & immunisation environments.

Our product has been extensively developed with single wipeable surfaces, meaning no mirror frames, shelving or chemical absorbent areas.

A modular shell-scheme frame gives CovidCube the adaptability to scale up or down with fit-for-purpose capabilities. Apply the same methodology to the implementation - HIRE the CovidCube.

In addition to the basic booths, apply bulkhead identification panels, wayfinding and even test-hatches (applies to plus unit ONLY) where the testing is supported.

A complete survey and installation service is also available 24/7 giving you the peace of mind safeguarding is at the heart of our solution.

Give our team a call for further information.

**01932  
569873**

**SALES@TECHNIQUESGROUP.CO.UK**



**COVIDCUBE**

# shell cubicle

**£POA**

## FEATURES

- SELF ASSEMBLY OR INSTALLED
- MODULAR & CONFIGURABLE

## OPTIONS

- BULKHEAD
- WAYFINDING
- BRANDED
- BESPOKE WINDOWS/ACOUSTICS

hessian insulated  
wall material



for illustrative purposes only.

# midi cubicle

**£POA**

## **FEATURES**

- **FULL SIZE/FULL PRIVACY & DEFENCE**
- **HYGIENIC WIPEABLE SURFACES**
- **SELF ASSEMBLY OR INSTALLED**
- **MODULAR & CONFIGURABLE**
- **SLIM PROFILE (0.5 metre)**

## **OPTIONS**

- **BULKHEAD**
- **WAYFINDING**
- **BRANDED**

max  
cubicle



£POA

**FEATURES**

- FULL SIZE/FULL PRIVACY & DEFENCE
- HYGIENIC WIPEABLE SURFACES
- SELF ASSEMBLY OR INSTALLED
- MODULAR & CONFIGURABLE

**OPTIONS**

- BULKHEAD
- WAYFINDING

plus  
cubicle

£POA

**FEATURES**

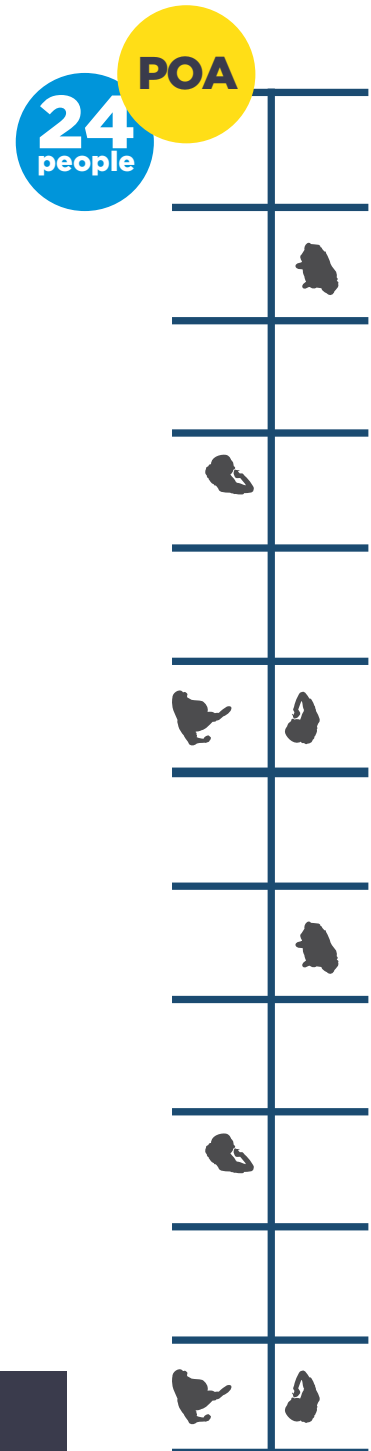
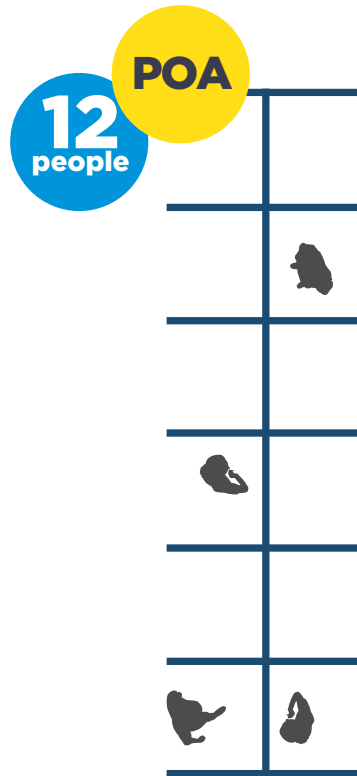
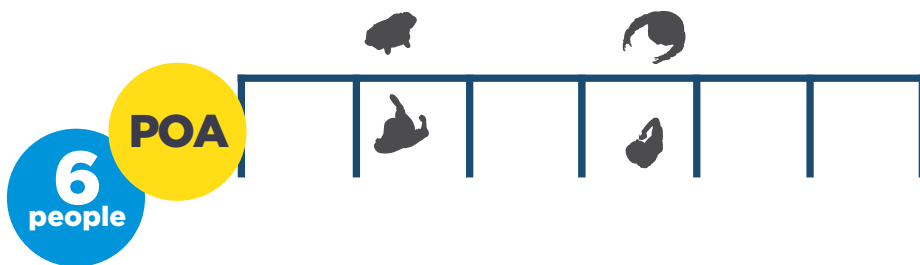
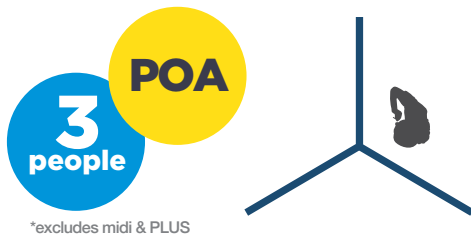
- **FULL SIZE/FULL PRIVACY & DEFENCE**
- **HYGIENIC WIPEABLE SURFACES**
- **SELF ASSEMBLY OR INSTALLED**
- **MODULAR & CONFIGURABLE**
- **PETG CHEMICAL RESISTANT ACRYLIC**

**OPTIONS**

- **BULKHEAD**
- **WAYFINDING**
- **BRANDED**
- **BESPOKE WINDOWS/ACOUSTICS**

# cubicle floorplan

*other floorplans on request.*



Delivery & installation charges are location based from our London & Suffolk Hubs.  
local delivery & installation fees from £60.00

Extra panels are £30.00  
Extra branded panels are £70.00  
Design fees from £75.00

\* Hire cost includes: cubicle, white walls, mirror, test holder & acrylic frames.



# cubicle configurations

*other variations on request.*

**POA**

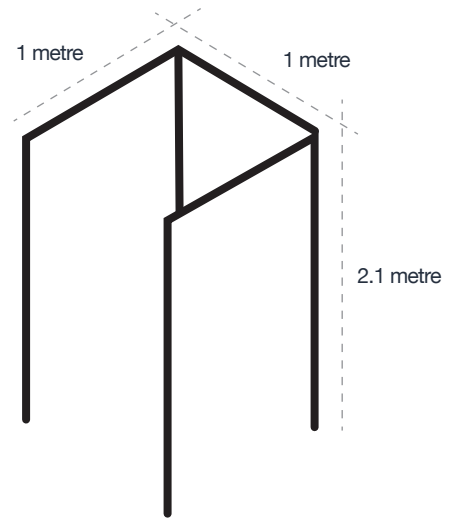
## maxcubicle

### FEATURES

- FULL SIZE/FULL PRIVACY & DEFENCE
- HYGIENIC WIPEABLE SURFACES
- SELF ASSEMBLY OR INSTALLED
- MODULAR & CONFIGURABLE

### OPTIONS

- BULKHEAD
- WAYFINDING
- BRANDED



**POA**

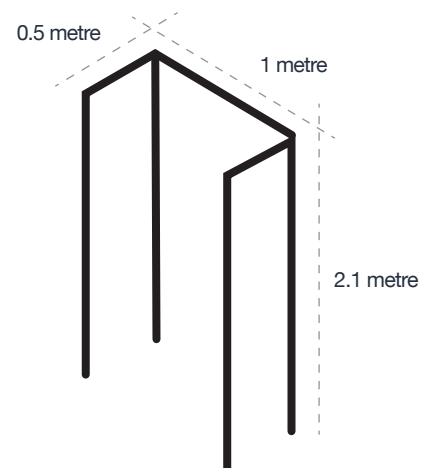
## midicubicle

### FEATURES

- REDUCED PRIVACY & DEFENCE
- HYGIENIC WIPEABLE SURFACES
- SELF ASSEMBLY OR INSTALLED
- MODULAR & CONFIGURABLE

### OPTIONS

- BULKHEAD
- WAYFINDING
- BRANDED



**POA**

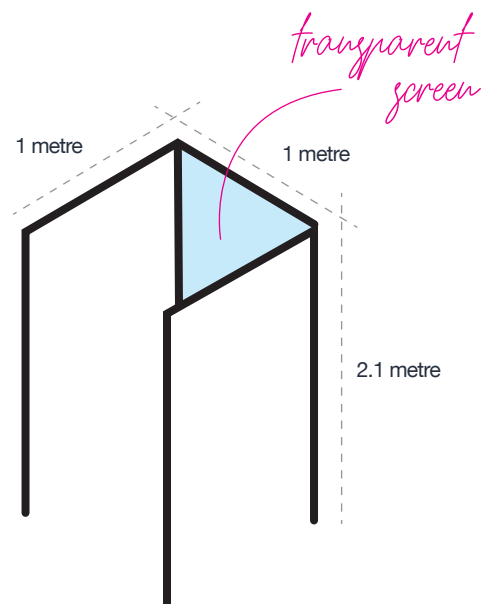
## cubicleplus

### FEATURES

- PETG ACRYLIC GLASS SCREEN
- FULL SIZE/FULL PRIVACY & DEFENCE
- HYGIENIC WIPEABLE SURFACES
- SELF ASSEMBLY OR INSTALLED
- MODULAR & CONFIGURABLE

### OPTIONS

- BULKHEAD
- WAYFINDING
- BRANDED



# cubicle toolkit

*further material on request.*



**POA**

Cubicle -  
Branded Graphics  
(1000mmx2100mm)



**£8.75**  
each

Cubicle -  
Test Holder



**£4.50**  
each

Cubicle -  
Mirror  
500mmx500mm



**£12.00**  
each

Cubicle -  
A4 acrylic instruction holder



**FROM £140.00**

Awareness/wayfinding  
cassette banner



**FROM £140.00**  
per metre

Tension barrier systems



Floor Graphics



Posters, leaflets



**FROM £12.00**

**DESIGN**  
**IMPLEMENTATION**  
**INSTALLATION**  
**CONTACT US**

**CONTACT US ON**

**01932**  
**569873**

**SALES@TECHNIQUESGROUP.CO.UK**

